

Burst Indication for use in Sanitary Tri Clamp Fittings

Over-pressure or discharge indication for bursting disk installations. The RDI-S Disk Burst Indicator is a simple and effective means of indicating when the process media ruptures a disk.

Operation

The RDI-S installs onto the vent side of a sanitary bursting disk assembly. Upon rupture of the disk, the RDI-S alarm circuit is opened by the flowing media.

- One-time use, low cost design compatible with metal or graphite bursting disks
- Fits easily into existing piping systems
- Installs on the outlet side of bursting disk or bursting disk holder, isolating the RDI-S from the process media



Features

- One time use, LOW COST
- 25mm (1") to 100mm (4") diameter
- Early indication of burst minimizes product waste and environmental damage from release of harmful process fluids
- Supplied ready for installation
- Fits standard Tri Clover and NA couplings used with sanitary ferrules to BS4825¹
- Burst is detected by breakage of silver conductor element printed to the chemically resistant polyimide detector membrane. Signal may be used to activate a variety of alarm or control equipment
- Signals instantly when the bursting disk ruptures
- The RDI-S sensor has been ATEX system certified to ATEX directive 94/9/EC and standard EN50039²



Materials

Membrane – Kapton®

Standard gasket materials – Viton or EPDM*

Conductive materials – Silver

Cable – 2m, 24 AWG, 2 conductor PTFE screened cable

* Consult ZOOK for other materials

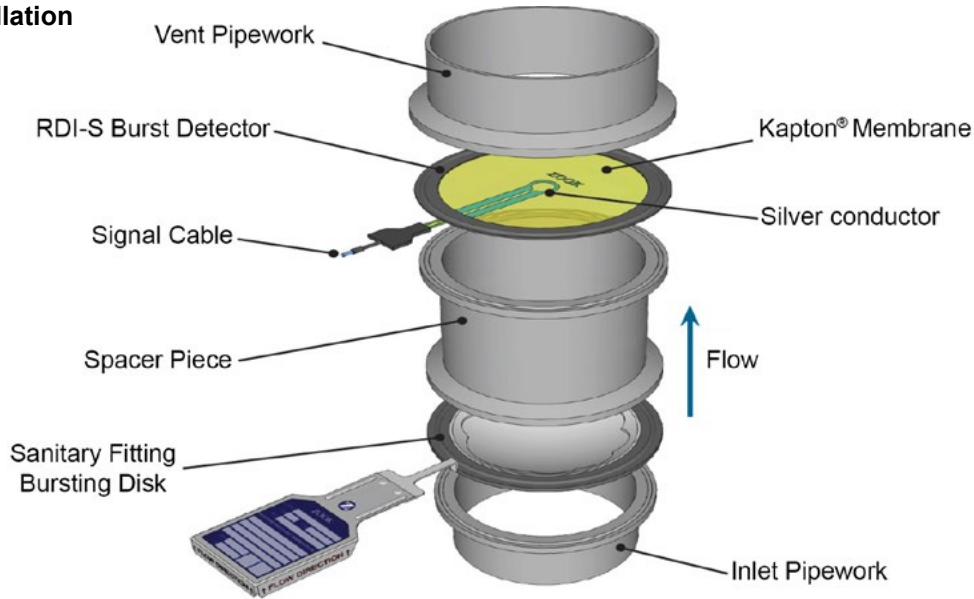
¹ Consult ZOOK for ferrules to other standards (e.g. DIN32676, ISO 2582/ISO1127)

² Epsilon Certificate No. 055YS1448X available on request



RDI-S Series Specifications

Typical Installation



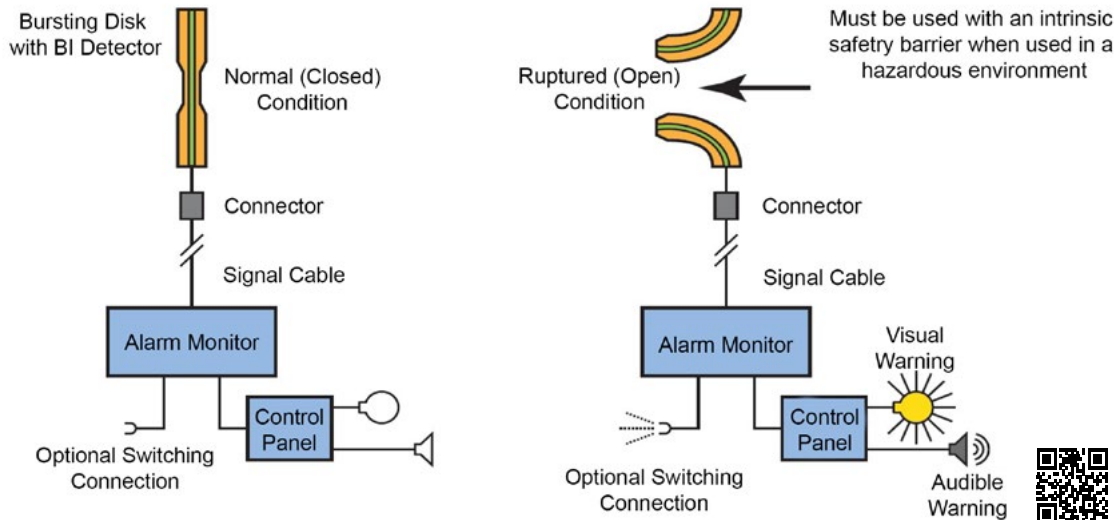
Electrical Properties :-

Max. Pre-Burst Resistance	20 Ω
Maximum Voltage	24 V AC/DC
Maximum Current	150 mA
Temperature Range	-40 to +200°C (-40 to +392°F)

Minimum Burst Pressure required to activate RDI-S :-

Nominal Size	Barg (Psig)
25 mm (1")	0.62 barg (9 psig)
40 mm (1.5")	0.62 barg (9 psig)
50 mm (2")	0.55 barg (8 psig)
80 mm (3")	0.41 barg (6 psig)
100 mm (4")	0.28 barg (4 psig)

Operating Schematic



Visit us at www.zookdisk.com

SERVING AMERICA, CENTRAL & SOUTH AMERICA

16809 Park Circle Drive
Chagrin Falls, Ohio 44022
United States

Toll Free: +1 800 543 1043

Phone: +1 440 543 1010

Fax: +1 440 543 4930

E-mail: sales@zookdisk.com

SERVING EUROPE, MIDDLE EAST & AFRICA

Navigation House, Bridge St.
Killamarsh, Sheffield, S21 1AL
United Kingdom

Phone: +44 (0) 1909 560999

Fax: +44 (0) 1909 560860

E-mail: sales.europe@zookdisk.com

SERVING CANADA

4400 South Service Road
Burlington, Ontario, L7L 5R8
Canada

Toll Free: +1 800 370 6057

Phone: +1 905 681 2885

Fax: +1 905 681 8838

E-mail: sales.canada@zookdisk.com

SERVING ASIA PACIFIC

Unit No. 23A-05, Menara Landmark
No.12, Jalan Ngee Heng
80000 Johor Bahru, Johor,
Malaysia

Phone: +60 (7) 2910099

Fax: +60 (7) 2910096

E-mail: sales.asia@zookdisk.com



Safety through knowledge and performance.